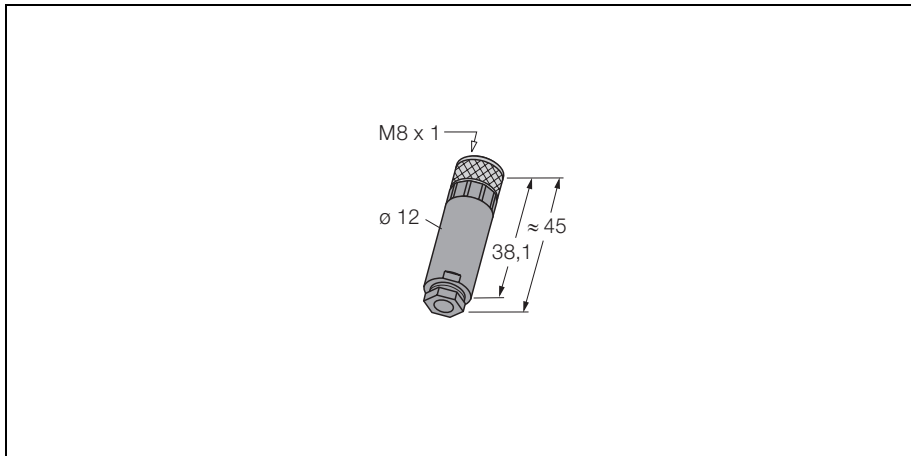
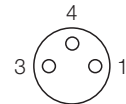


**M8 x 1 / Ø 8 mm round connector
female M8 x 1 connector, field-wireable
SKPC3K**

- robust, field-wireable round connector
- degree of protection IP67
- screw/terminal connection

Wiring diagram



Type	SKPC3K
Ident-No.	8004833
connector	field-wireable female connector, M8 x 1, straight
Polarity	3-pole
Contact carriers	plastic, PA, black
Contacts	metal, CuZn, gold-plated
Grip	plastic, PBT, black
Seal	plastic, Neoprene
Coupling nut/screw	metal, CuZn, nickel-plated
Protection degree	IP67, only with screws tightened
External diameter of the cable	3 ... 5 mm
Core cross-section/clamping ability	0.14... 0.5 mm ²
Cross-section	max. 0.5 mm ²
Screw-in thread	M11 x 0,75
Connection mode	screw terminals
Pollution degree	3
Rated voltage	max. 60 V
Insulation resistance	≥ 10 ⁹ Ω
Current carrying capacity	4 A
Forward resistance	≤ 5 mΩ
Ambient temperature connector	-40 ... + 85 °C