



## Enkodery liniowe KH53

KHK53-AXS01700



Nazwa modelu > **KHK53-AXS01700**

Numer cz ci > **1030079**



Produkt może różnić się od ilustracji

#### At a glance

- Non-contact length measurement - maintenance-free, rugged, long lifetime
- High reproducibility (0.3 mm / 1 mm), high system resolution (0.1 mm)
- SSI and PROFIBUS interfaces
- Determination of absolute position
- Measuring lengths of up to 1,700 m possible
- Can be used in harsh environments
- High travel speeds of up to 6.6 m/s
- Distance tolerance between read head and measuring element: up to 55 mm ± 20 mm possible

#### Your benefits

- After installation, the system is immediately available and completely maintenance-free, which leads to time and cost savings.
- Reliable determination of position under harshest environmental conditions such as influences of dirt, dust, fog, shocks and vibrations
- High efficiency and productivity
- Savings on time - no reference run necessary on initial operation due to absolute position measurement
- accurate positioning even with high mounting tolerances



#### Wydajno

|                         |  |
|-------------------------|--|
| Measuring length:       | 0 m ... 1.700 m                            |
| Measuring range:        | 1.700 m                                    |
| Rozdzielczość:          | 0,1 mm                                     |
| Piston speed:           | 6,6 m/s <sup>1)</sup>                      |
| Measurement accuracy:   | ± 1000 + ME (Tu-25° C) Tk μm <sup>2)</sup> |
| Dokładność powtarzania: | 0,3 mm                                     |

<sup>1)</sup> If the max. movement speed is exceeded or the read head cannot detect a measuring element the error message FF FF FE Hex is produced. <sup>2)</sup> If the read head and measuring element are mounted within ± 1 mm of the nominal mounting distance in the N and Y directions. The figures quoted related to the accuracy within a measuring element with reference to the start of that measuring element. ME = length measuring element Tu = Ambient temperature °C

#### !Mechanical data!

|                     |            |
|---------------------|------------|
| Typ połączenia:     | Cable, 3 m |
| Mass:               | 5,2 kg     |
| Position tolerance: | ± 10 mm    |

Material: AIMgSiPbF28

### !Electrical data!

---

|  |                                   |
|--|-----------------------------------|
| Initialization time:                   | 2 s                               |
| Czas obliczania pozycji:               | 0,8 ms                            |
| Napięcie zasilania:                    | 10 V ... 32 V                     |
| Pobór prądu:                           | 250 mA                            |
| MTTFd: mean time to dangerous failure: | 21 a (EN ISO 13849) <sup>1)</sup> |

<sup>1)</sup> This product is a standard product and does not constitute a safety component as defined in the Machinery Directive.

Calculation based on nominal load of components, average ambient temperature 40°C, frequency of use 8760 h/a. All

electronic failures are considered hazardous. For more information, see document no. 8015532.

### Interfejsy

---

|  |  |
|--|--|
| Electrical interface:                    | SSI  |
| Sygnaly interfejsu:                      | Digital, serial  |
| Interface for parametrization:           | Data format: 1 start bit, 8 data bits, 1 stop bit, no parity, Data protocol: ASCII, Baud rate 9600 RS-422, RS-422, Four wire transmission, asynchrony, full duplex |
| Format danych:                           | SSI 24 bits format   |
| Standard (default setting SSI standard): | RS-422 off   |

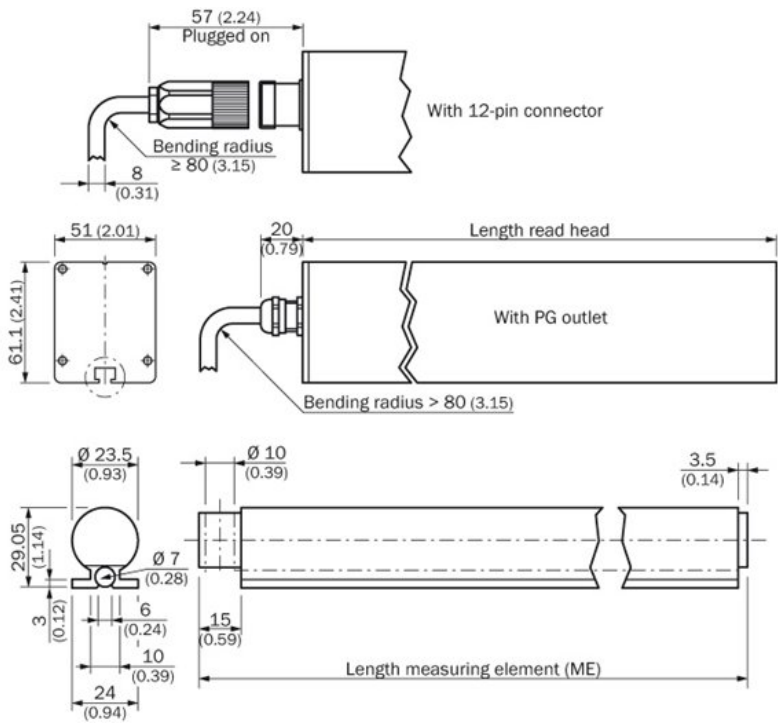
### Dane otoczenia

---

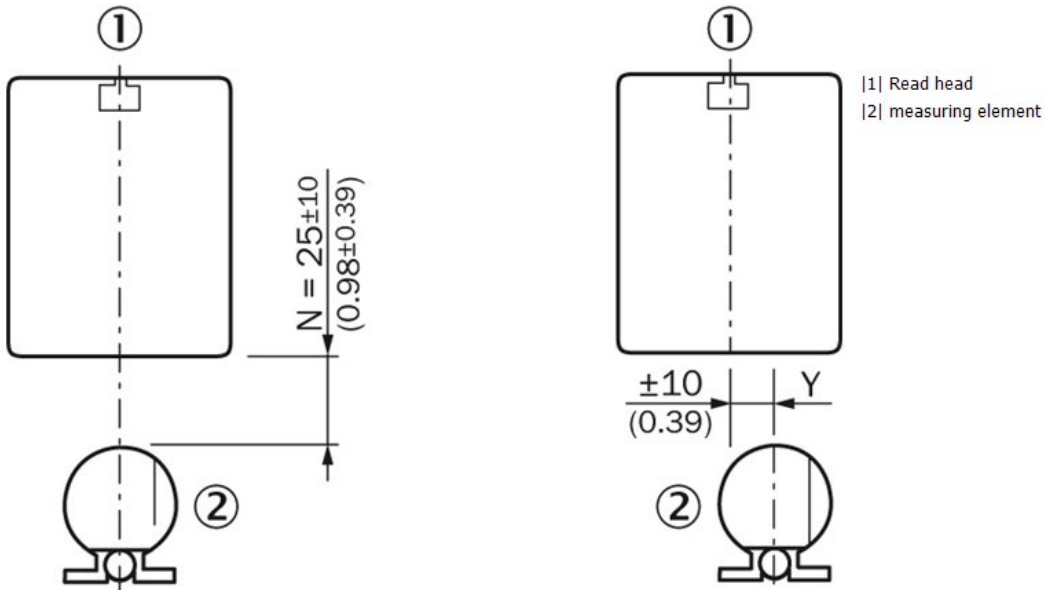
|                                     |  |
|-------------------------------------|--|
| Kompatybilność elektromagnetyczna:: | (according to EN 61000-6-2 and EN 61000-6-4) <sup>1)</sup> |
| Rodzaj zabezpieczenia:              | IP 66 (IEC 60529)  |
| Working temperature range:          | -20 °C ... +60 °C  |
| Storage temperature range:          | -40 °C ... +85 °C  |
| Odporność na udar:                  | 30 g, 10 ms (DIN EN 60 068-2-27)                           |
| Odporność na drgania:               | 10 g, 20 Hz ... 250 Hz (EN 60068-2-6)                      |

<sup>1)</sup>

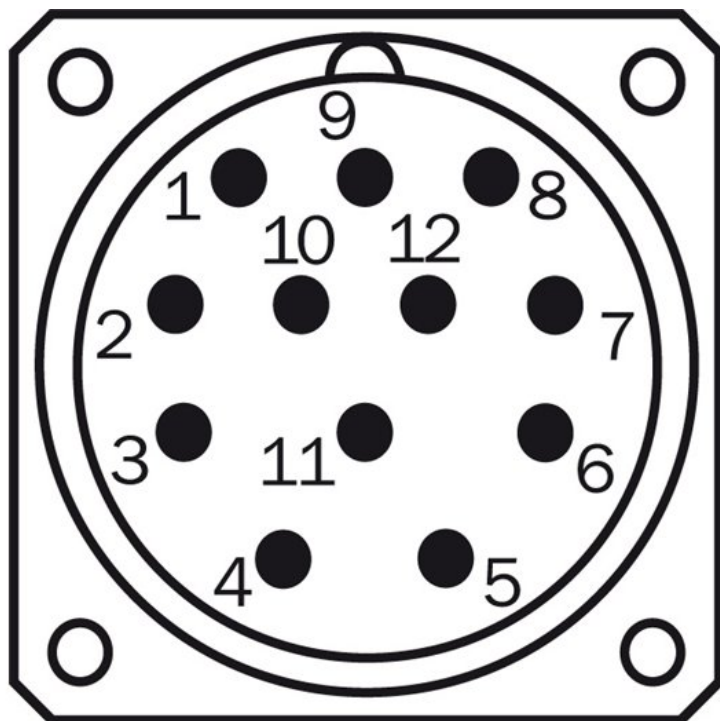
Rysunek techniczny



Position tolerance



All dimensions in mm (inch)



**Australia**

Phone +61 3 9457 0600  
1800 33 48 02 – tollfree  
E-Mail sales@sick.com.au

**Belgium/Luxembourg**

Phone +32 (0)2 466 55 66  
E-Mail info@sick.be

**Brasil**

Phone +55 11 3215-4900  
E-Mail marketing@sick.com.br

**Canada**

Phone +1 905 771 14 44  
E-Mail information@sick.com

**Česká republika**

Phone +420 2 57 91 18 50  
E-Mail sick@sick.cz

**China**

Phone +86 4000 121 000  
E-Mail info.china@sick.net.cn  
Phone +852-2153 6300  
E-Mail ghk@sick.com.hk

**Danmark**

Phone +45 45 82 64 00  
E-Mail sick@sick.dk

**Deutschland**

Phone +49 211 5301-301  
E-Mail info@sick.de

**España**

Phone +34 93 480 31 00  
E-Mail info@sick.es

**France**

Phone +33 1 64 62 35 00  
E-Mail info@sick.fr

**Great Britain**

Phone +44 (0)1727 831121  
E-Mail info@sick.co.uk

**India**

Phone +91-22-4033 8333  
E-Mail info@sick-india.com

**Israel**

Phone +972-4-6881000  
E-Mail info@sick-sensors.com

**Italia**

Phone +39 02 27 43 41  
E-Mail info@sick.it

**Japan**

Phone +81 (0)3 5309 2112  
E-Mail support@sick.jp

**Magyarország**

Phone +36 1 371 2680  
E-Mail office@sick.hu

**Nederland**

Phone +31 (0)30 229 25 44  
E-Mail info@sick.nl

**Norge**

Phone +47 67 81 50 00  
E-Mail sick@sick.no

**Österreich**

Phone +43 (0)22 36 62 28 8-0  
E-Mail office@sick.at

**Polska**

Phone +48 22 837 40 50  
E-Mail info@sick.pl

**România**

Phone +40 356 171 120  
E-Mail office@sick.ro

**Russia**

Phone +7-495-775-05-30  
E-Mail info@sick.ru

**Schweiz**

Phone +41 41 619 29 39  
E-Mail contact@sick.ch

**Singapore**

Phone +65 6744 3732  
E-Mail sales.gsg@sick.com

**Slovenija**

Phone +386 (0)1-47 69 990  
E-Mail office@sick.si

**South Africa**

Phone +27 11 472 3733  
E-Mail info@sickautomation.co.za

**South Korea**

Phone +82 2 786 6321/4  
E-Mail info@sickkorea.net

**Suomi**

Phone +358-9-25 15 800  
E-Mail sick@sick.fi

**Sverige**

Phone +46 10 110 10 00  
E-Mail info@sick.se

**Taiwan**

Phone +886 2 2375-6288  
E-Mail sales@sick.com.tw

**Türkiye**

Phone +90 (216) 528 50 00  
E-Mail info@sick.com.tr

**United Arab Emirates**

Phone +971 (0) 4 88 65 878  
E-Mail info@sick.ae

**USA/México**

Phone +1(952) 941-6780  
1 (800) 325-7425 – tollfree  
E-Mail info@sickusa.com

More representatives and agencies  
at [www.sick.com](http://www.sick.com)