



Czujniki wizyjne
Inspector PI50, Inspector, PI-series

VSPP-5F2113



Nazwa modelu > **VSPP-5F2113**

Numer cz ci > **1056082**

At a glance

- High-speed positioning and inspection
- Expanded toolbox for locating taught-in and free-form objects
- Multiple, simultaneous inspection of blobs, patterns, edges and pixel counting
- Easy device cloning via the web interface
- Image calibration, including mm output
- Configurable communication through EtherNet/IP and TCP/IP
- HMI integration via web API
- Simple, out-of-the-box web server

Your benefits

- Powerful yet simple tools enable flexibility in various positioning and inspection applications
- Device cloning saves time in deployment using only standard web browser
- Web interface enables import/export of unlimited number of reference objects, increasing production flexibility
- Ethernet communication and web API gives excellent connectivity and freedom to customize user's HMI
- The built-in web server is an easy and cost-efficient way to monitor the production process
- The image calibration ensures reliable inspection results on moving and rotated objects in tilted setups, or when using wide angle lenses
- Result calibration gives easy-to-use mm data, simplifying alignment and gripping



Cechy

Technologia:	2D Image analysis Snapshot
Toolset:	Pixel count, Edge pixel count Pattern Blob locator Object locator Polygon
Working distance:	50 mm ∞
Working distance internal illumination (min. ... max.):	50 mm ... 200 mm
Field of view internal illumination:	22 mm x 15 mm ... 79 mm x 58 mm
Nadajnik światła:	White ring light
Offline support:	Emulation
Zadanie:	Detecting Positioning

LED class:	Risk group 1 (low risk, IEC62471 : 2006)
Spectral range:	Approx. ± 400 nm ... ± 750 nm
Calibration:	Perspective and lens distortion correction, mm results

Wydajno

Typical performance:	40 fps
Number of inspections:	32
Reference images:	32 objects
Rozdzielczość:	640 px x 480 px
Maximum performance:	200 fps

Interfejsy

Operator interfaces:	SOPAS, Inspector Viewer, Web server
User interface:	SOPAS for configuration
Wejścia cyfrowe:	4 inputs (24 V)
Configurable inputs:	Reference object selection Encoder input External trigger External teach
Maximum encoder frequency:	40 kHz
Wyjścia cyfrowe:	3 outputs, 24 V (B-type)
Prąd wyjściowy:	100 mA
Default outputs:	All pass Any fail No object detected
Configurable outputs:	Output by logical expressions, Store images to FTP overflow
Control of external illumination:	5 V TTL
Communication interface:	100 MBit/s Ethernet
Data store and retrieve:	Record images on PC Store images to FTP 30 images device log
I/O Box extension:	16 outputs 5x inputs for object selection
Ethernet communication:	EtherNet/IP, TCP/IP, Web API

Mechanika/elektronika

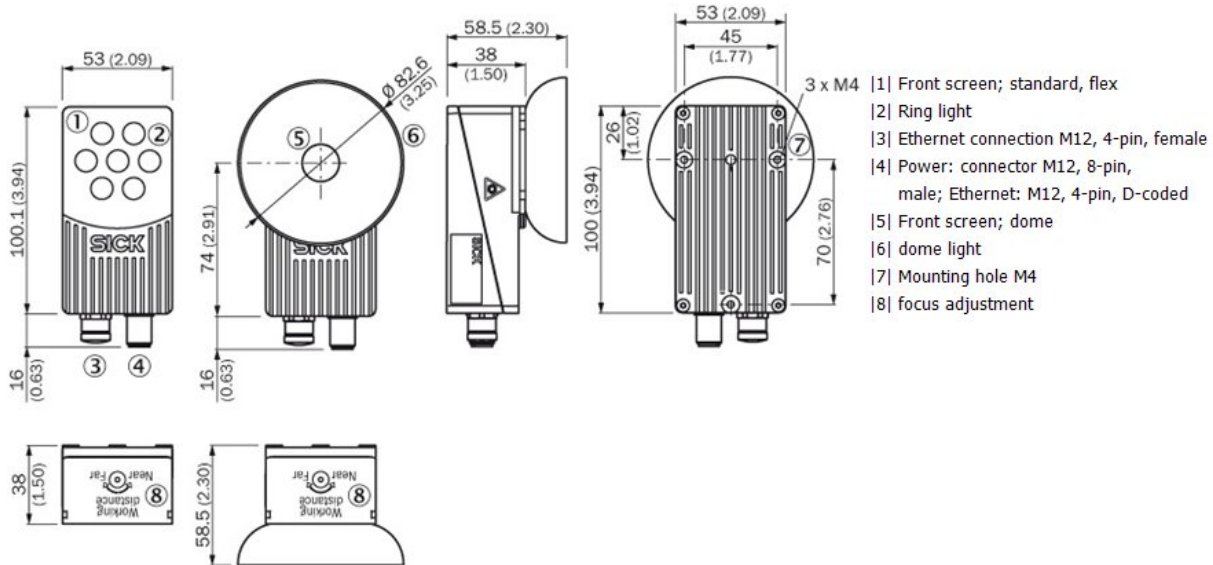
Optyka:	Exchangeable
Napięcie zasilania:	24 V DC, ± 20 %
Pobór prądu:	< 450 mA, with no output load
Tętnienia resztkowe:	< 5 Vss
Wymiary (dł. x szer. x wys.):	100 mm x 53 mm x 38 mm
Connectors:	M12, 12-pin male M12, 4-pin female
Materiał, obudowa:	Aluminium
Window material:	PMMA
Ciężar:	350 g
Rodzaj zabezpieczenia:	IP 67
Standards:	CE

Dane otoczenia

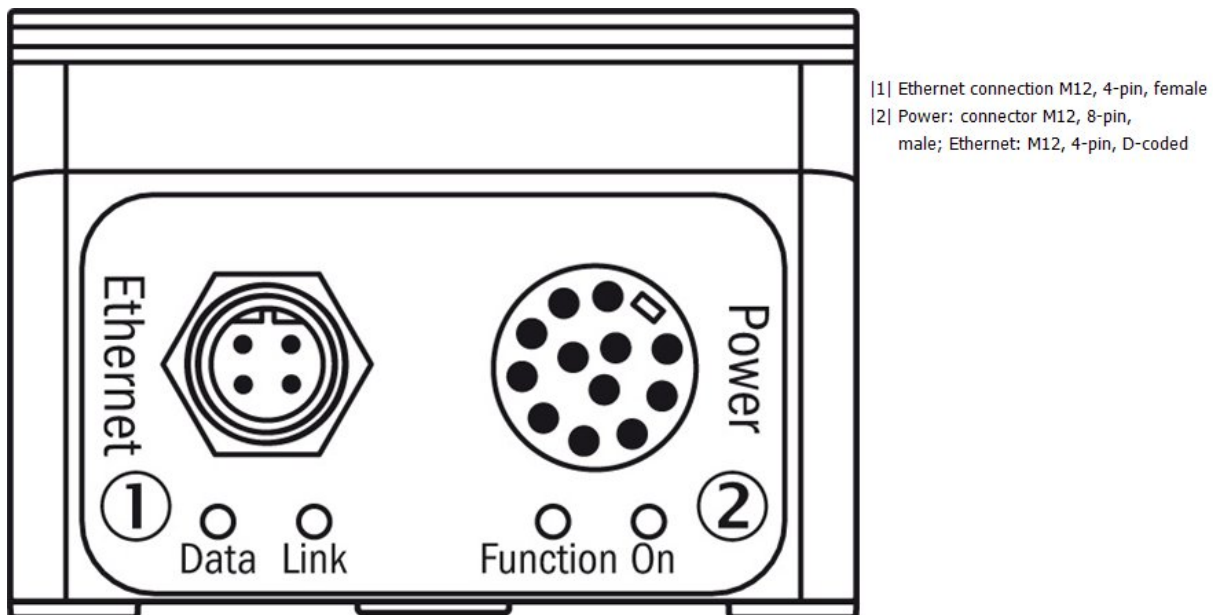
Ambient operating temperature ¹⁾ :	0 °C ... 45 °C
Ambient storage temperature:	-20 °C ... 70 °C
Odporność na drgania:	IEC 60068-2-6
Mechanical shock load:	EN 60068-2-27

1) Rel. humidity: 35 % ... 85 %, 95 % at operation

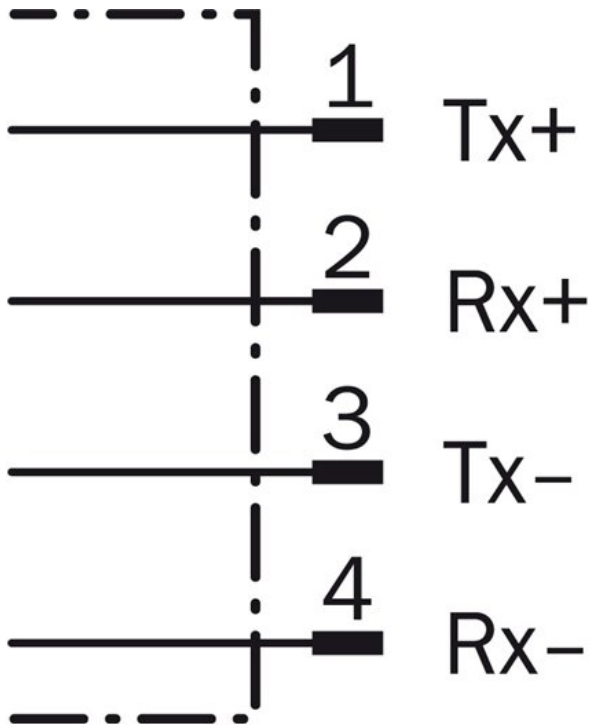
Dimensional drawing



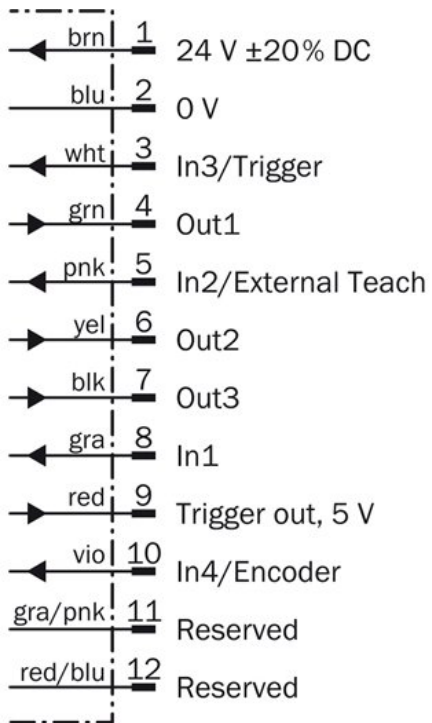
Connection type



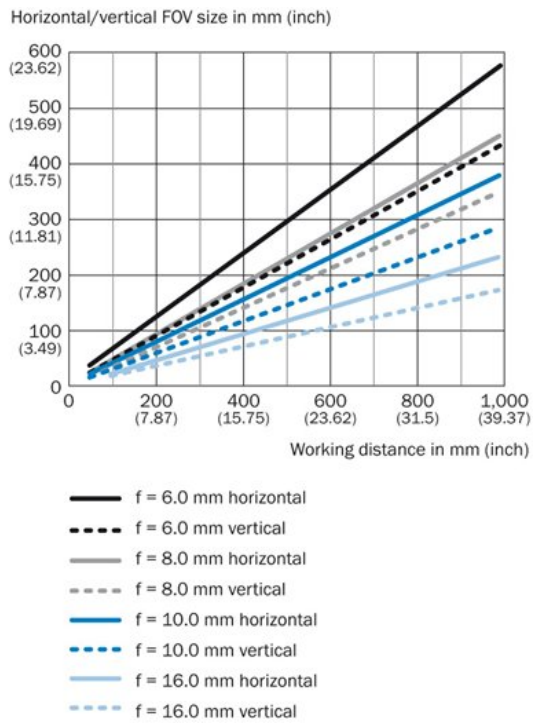
Connection diagram EtherNet



Connection diagram M12, 12-pin



Field of view diagram



Australia

Phone +61 3 9457 0600
1800 334 802 – tollfree
E-Mail sales@sick.com.au

Belgium/Luxembourg

Phone +32 (0)2 466 55 66
E-Mail info@sick.be

Brasil

Phone +55 11 3215-4900
E-Mail sac@sick.com.br

Canada

Phone +1(952) 941-6780
1 800-325-7425 – tollfree
E-Mail info@sickusa.com

Ceská Republika

Phone +420 2 57 91 18 50
E-Mail sick@sick.cz

China

Phone +852-2763 6966
E-Mail ghk@sick.com.hk

Danmark

Phone +45 45 82 64 00
E-Mail sick@sick.dk

Deutschland

Phone +49 211 5301-301
E-Mail kundenservice@sick.de

España

Phone +34 93 480 31 00
E-Mail info@sick.es

France

Phone +33 1 64 62 35 00
E-Mail info@sick.fr

Great Britain

Phone +44 (0)1727 831121
E-Mail info@sick.co.uk

India

Phone +91-22-4033 8333
E-Mail info@sick-india.com

Israel

Phone +972-4-6801000
E-Mail info@sick-sensors.com

Italia

Phone +39 02 27 43 41
E-Mail info@sick.it

Japan

Phone +81 (0)3 3358 1341
E-Mail support@sick.jp

Magyarország

Phone +36 1 371 2680
E-Mail office@sick.hu

Nederlands

Phone +31 (0)30 229 25 44
E-Mail info@sick.nl

Norge

Phone +47 67 81 50 00
E-Mail austefjord@sick.no

Österreich

Phone +43 (0)22 36 62 28 8-0
E-Mail office@sick.at

Polska

Phone +48 22 837 40 50
E-Mail info@sick.pl

România

Phone +40 356 171 120
E-Mail office@sick.ro

Russia

Phone +7-495-775-05-30
E-Mail info@sick.ru

Schweiz

Phone +41 41 619 29 39
E-Mail contact@sick.ch

Singapore

Phone +65 6744 3732
E-Mail admin@sicksgp.com.sg

South Africa

Phone +27 11 472 3733
E-Mail info@sickautomation.co.za

South Korea

Phone +82 2 786 6321/4
E-Mail info@sickkorea.net

Slovenija

Phone +386 (0)1-47 69 990
E-Mail office@sick.si

Suomi

Phone +358-9-25 15 800
E-Mail sick@sick.fi

Sverige

Phone +46 10 110 10 00
E-Mail info@sick.se

Taiwan

Phone +886-2-2375-6288
E-Mail sales@sick.com.tw

Türkiye

Phone +90 (216) 528 50 00
E-Mail info@sick.com.tr

United Arab Emirates

Phone +971 (0) 4 8865 878
E-Mail info@sick.ae

USA/México

Phone +1(952) 941-6780
1 800-325-7425 – tollfree
E-Mail info@sickusa.com

More representatives and agencies
at www.sick.com