



Czujniki wizyjne  
Inspector I40-LUT, Inspector, I-series

VSPI-4F2311



Nazwa modelu > [VSPi-4F2311](#)

Numer cz ci > [1050694](#)



#### At a glance

- Integrated UV ring light for inspecting luminescent objects
- Wide field-of-view for large area inspection
- Advanced "object locator" tool to locate parts independent of position, rotation and scale
- Powerful part inspection tool set with quantitative data and pattern recognition
- 32 reference objects
- Networking, including image FTP and EtherNet/IP®
- Easy-to-use interface software with emulator functionality

#### Your benefits

- Integrated UV light provides a unique, single component solution for wide area luminescent inspection applications
- Wide field-of-view eliminates the need for multiple sensors when a larger area needs to be verified
- Independence of position, rotation and scale ensures easy and reliable operation with moving targets
- The part inspection tool set allows multiple, simultaneous inspections of patterns and objects
- EtherNet/IP® and image storing to FTP provide excellent support for production control



#### Cechy

Technologia:	2D Image analysis Snapshot
Toolset:	Object locator, Contour Pixel count, Edge pixel count Pattern
Working distance:	50 mm <sup>∞</sup>
Working distance internal illumination (min. ... max.):	50 mm ... 200 mm
Field of view internal illumination:	22 mm x 15 mm ... 79 mm x 58 mm
Nadajnik światła:	UV ring light
Offline support:	Emulation
Zadanie:	Detecting
LED class:	Risk group 1 (low risk, IEC62471 : 2006)
Spectral range:	Approx. ± 400 nm ... ± 750 nm

#### Wydajno

Typical performance:	40 fps
Number of inspections:	32
Reference images:	32 objects
Rozdzielczość:	640 px x 480 px
Maximum performance:	250 fps

## Interfejsy

---

Operator interfaces:	SOPAS, Inspector Viewer
User interface:	SOPAS for configuration
Wejścia cyfrowe:	4 inputs (24 V)
Configurable inputs:	Reference object selection Encoder input External trigger External teach
Maximum encoder frequency:	40 kHz
Wyjścia cyfrowe:	3 outputs, 24 V (B-type)
Prąd wyjściowy:	100 mA
Default outputs:	All pass Any fail No object detected
Configurable outputs:	Output by logical expressions, Store images to FTP overflow
Control of external illumination:	5 V TTL
Communication interface:	100 MBit/s Ethernet
Data store and retrieve:	Record images on PC Store images to FTP 30 images device log
I/O Box extension:	16 outputs 5x inputs for object selection
Ethernet communication:	EtherNet/IP (result, device control)

## Mechanika/elektronika

---

Optyka:	Exchangeable
Napięcie zasilania:	24 V DC, ± 20 %
Pobór prądu:	< 450 mA, with no output load
Tętnienia resztkowe:	< 5 Vss
Wymiary (dł. x szer. x wys.):	100 mm x 53 mm x 38 mm
Connectors:	M12, 12-pin male M12, 4-pin female
Materiał, obudowa:	Aluminium
Window material:	Glass
Ciężar:	350 g
Rodzaj zabezpieczenia:	IP 67
Standards:	CE

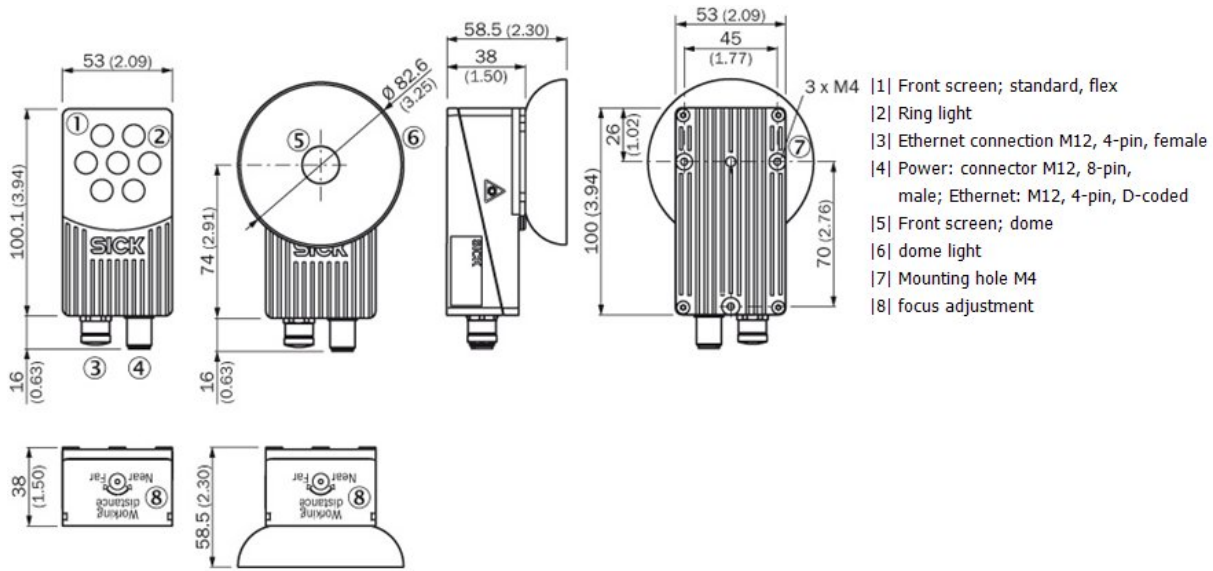
## Dane otoczenia

---

Ambient operating temperature <sup>1)</sup> :	0 °C ... 45 °C
Ambient storage temperature <sup>2)</sup> :	-20 °C ... 70 °C
Odporność na drgania:	IEC 60068-2-6
Mechanical shock load:	EN 60068-2-27

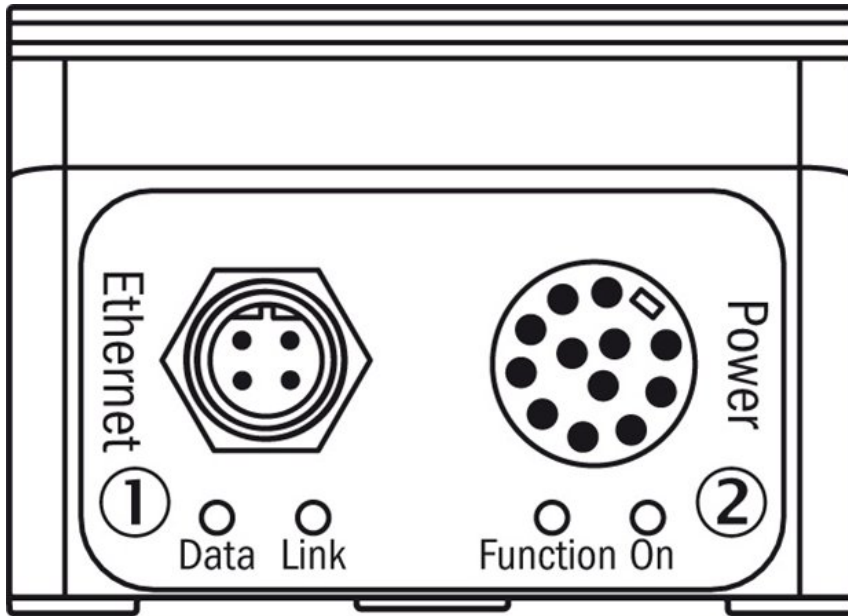
<sup>1) 2)</sup> Rel. humidity: 35 % ... 85 %, 95 % at operation

## Dimensional drawing



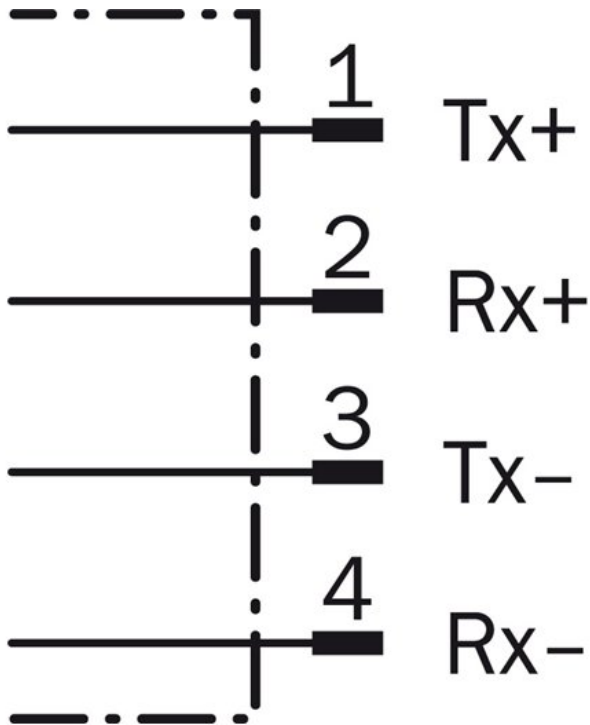
- |1| Front screen; standard, flex
- |2| Ring light
- |3| Ethernet connection M12, 4-pin, female
- |4| Power: connector M12, 8-pin, male; Ethernet: M12, 4-pin, D-coded
- |5| Front screen; dome
- |6| dome light
- |7| Mounting hole M4
- |8| focus adjustment

## Connection type

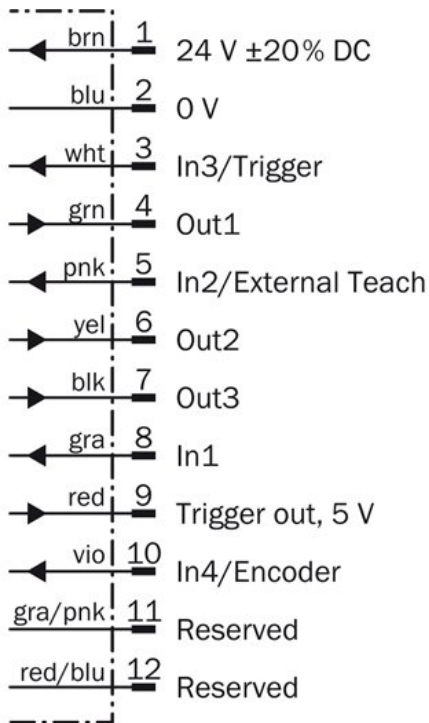


- |1| Ethernet connection M12, 4-pin, female
- |2| Power: connector M12, 8-pin, male; Ethernet: M12, 4-pin, D-coded

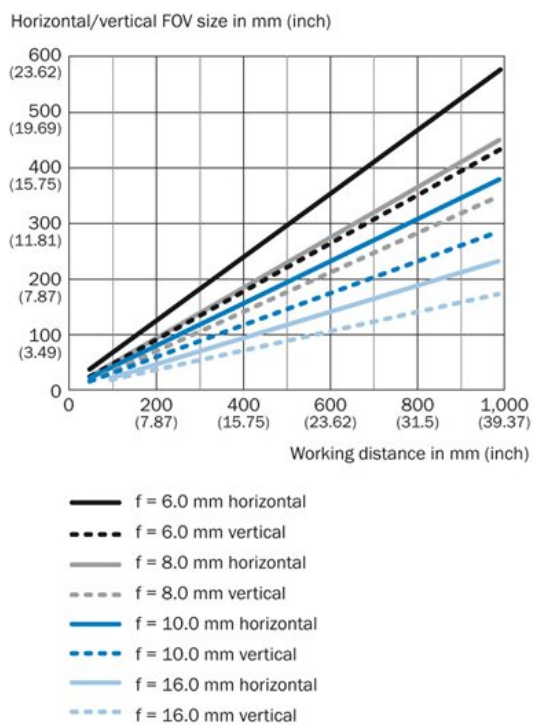
Connection diagram EtherNet



Connection diagram M12, 12-pin



## Field of view diagram



**Australia**

Phone +61 3 9457 0600  
1800 334 802 – tollfree  
E-Mail sales@sick.com.au

**Belgium/Luxembourg**

Phone +32 (0)2 466 55 66  
E-Mail info@sick.be

**Brasil**

Phone +55 11 3215-4900  
E-Mail sac@sick.com.br

**Canada**

Phone +1(952) 941-6780  
1 800-325-7425 – tollfree  
E-Mail info@sickusa.com

**Ceská Republika**

Phone +420 2 57 91 18 50  
E-Mail sick@sick.cz

**China**

Phone +852-2763 6966  
E-Mail ghk@sick.com.hk

**Danmark**

Phone +45 45 82 64 00  
E-Mail sick@sick.dk

**Deutschland**

Phone +49 211 5301-301  
E-Mail kundenservice@sick.de

**España**

Phone +34 93 480 31 00  
E-Mail info@sick.es

**France**

Phone +33 1 64 62 35 00  
E-Mail info@sick.fr

**Great Britain**

Phone +44 (0)1727 831121  
E-Mail info@sick.co.uk

**India**

Phone +91-22-4033 8333  
E-Mail info@sick-india.com

**Israel**

Phone +972-4-6801000  
E-Mail info@sick-sensors.com

**Italia**

Phone +39 02 27 43 41  
E-Mail info@sick.it

**Japan**

Phone +81 (0)3 3358 1341  
E-Mail support@sick.jp

**Magyarország**

Phone +36 1 371 2680  
E-Mail office@sick.hu

**Nederlands**

Phone +31 (0)30 229 25 44  
E-Mail info@sick.nl

**Norge**

Phone +47 67 81 50 00  
E-Mail austefjord@sick.no

**Österreich**

Phone +43 (0)22 36 62 28 8-0  
E-Mail office@sick.at

**Polska**

Phone +48 22 837 40 50  
E-Mail info@sick.pl

**România**

Phone +40 356 171 120  
E-Mail office@sick.ro

**Russia**

Phone +7-495-775-05-30  
E-Mail info@sick.ru

**Schweiz**

Phone +41 41 619 29 39  
E-Mail contact@sick.ch

**Singapore**

Phone +65 6744 3732  
E-Mail admin@sicksgp.com.sg

**South Africa**

Phone +27 11 472 3733  
E-Mail info@sickautomation.co.za

**South Korea**

Phone +82 2 786 6321/4  
E-Mail info@sickkorea.net

**Slovenija**

Phone +386 (0)1-47 69 990  
E-Mail office@sick.si

**Suomi**

Phone +358-9-25 15 800  
E-Mail sick@sick.fi

**Sverige**

Phone +46 10 110 10 00  
E-Mail info@sick.se

**Taiwan**

Phone +886-2-2375-6288  
E-Mail sales@sick.com.tw

**Türkiye**

Phone +90 (216) 528 50 00  
E-Mail info@sick.com.tr

**United Arab Emirates**

Phone +971 (0) 4 8865 878  
E-Mail info@sick.ae

**USA/México**

Phone +1(952) 941-6780  
1 800-325-7425 – tollfree  
E-Mail info@sickusa.com

More representatives and agencies  
at [www.sick.com](http://www.sick.com)