



Sterowniki bezpieczeństwa Flexi Classic Extension unit

UE410-XU3T0



Nazwa modelu > **UE410-XU3T0**

Numer cz ci > **6035244**



At a glance

- Two different types: in-/output expansion modules and input expansion modules
- Two variants per type : module for common applications and an expert module for muting
- Modularly expandable
- 6 inputs, 4 outputs or 8 inputs
- Small width of 22.5 mm
- Pluggable terminals for a fast module replacement
- PNP outputs, each up to 2A

Your benefits

- Only one configuration for the complete system, simplifying commissioning
- Rich diagnostic functions available via Fieldbus gateway module
- Easy to expand if more inputs are required
- Easy diagnostics via clear LED status indicators
- Use of powerful PNP semiconductor outputs allows to remove relays



Zastosowania

| | |
|--|---|
| Przełącznik zatrzymania awaryjnego: | ✓ |
| Optoelektroniczne urządzenia ochronne: | ✓ |
| Bezkontaktowe zamki bezpieczeństwa: | ✓ |
| Sterowanie oburęczne: | ✓ |
| Testable inductive sensors: | ✓ |
| Elektromechaniczne zamki bezpieczeństwa: | ✓ |

Funkcje

| | |
|--|-------------------------|
| Number of reset-/restart inputs: | 2 |
| Number of external device monitoring: | 2 |
| Maskowanie (muting): | ✓ |
| Logical functions: | OR, AND, BYPASS, Muting |
| Safe device communication via EFI/SDL: | - |

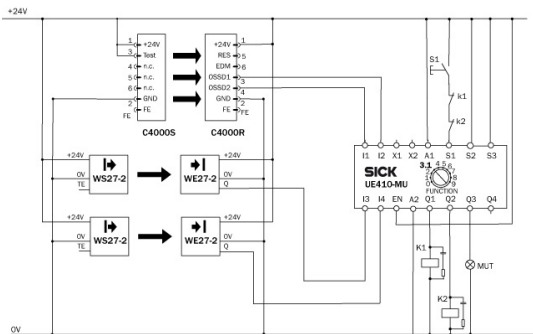
Dane techniczne

| | |
|---------------------------------------|----------------------------|
| Poziom bezpieczeństwa funkcjonalnego: | SIL3 (IEC 61508) |
| Performance Level: | PL e (EN ISO 13849) |
| Kategoria: | Kategoria 4 (EN ISO 13849) |

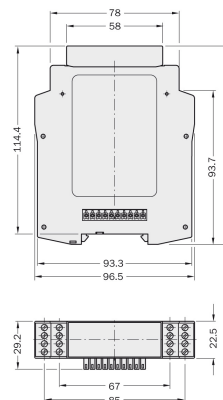
| | |
|---|--|
| PFHd:: | 2,5 * 1E-09 ^{1) 2)} 6,0 * 1E-09 |
| TM (Czas użytkowania): | 20 a |
| Number of inputs: | 2 dual-channel or 4 single-channel |
| Number of muting sensors: | 0, 2 |
| Kontrola synchronizacji: | 1.500 ms (at program 2), 500 ms (at program 4 and 5) |
| Number of outputs: | 2 dual-channel or 4 single-channel |
| Type of output safety capable outputs: | PNP semiconductors, short-circuit protected, cross-circuit monitored |
| Output voltage HIGH: | 18 V DC ... 30 V DC |
| Maximum output current: | 2 A |
| Maksymalny czas reakcji: | 13 ms ... 79 ms ³⁾ |
| Rodzaj zabezpieczenia: | IP 20 (EN/IEC 60529) |
| Klasa ochronności: | III |
| Stop category to EN 60204: | 0, EN 60204 |
| Napięcie zasilania: | 19,2 V DC, 24 V DC, 30 V DC |
| Type of supply voltage: | PELV (electrical output circuit on UE410-4RO/UE410-2RO > 25 V AC/60 V DC), PELV or SELV (electrical output circuit on UE410-4RO/UE410-2RO < 25 V AC/60 V DC) |
| Maksymalny pobór mocy: | 3 W |
| Maximum switch on time: | 60 s |
| Sposób przyłączenia: | Końcówki wtykowe |
| Temperatura otoczenia, praca od ... do: | -25 °C ... 55 °C |
| Temperatura przechowywania od ... do: | -25 °C ... 70 °C |
| Odporność na drgania (sprawdzono do): | EN 60068-2-6, EN 61131-2 |
| Wymiary (Szer. x Wys. x Głęb.): | 22,5 mm x 96,5 mm x 120,8 mm |
| Ciężar: | 180 g |

1) Dual-channel outputs 2) Single-channel outputs 3) Depending on the selected program and the connected sensors

Connection diagram



Dimensional drawing



Australia

Phone +61 3 9497 4100
1800 334 802 – tollfree
E-Mail sales@sick.com.au

Belgium/Luxembourg

Phone +32 (0)2 466 55 66
E-Mail info@sick.be

Brasil

Phone +55 11 3215-4900
E-Mail sac@sick.com.br

Canada

Phone +1(952) 941-6780
1 800-325-7425 – tollfree
E-Mail info@sickusa.com

Ceská Republika

Phone +420 2 57 91 18 50
E-Mail sick@sick.cz

China

Phone +852-2763 6966
E-Mail ghk@sick.com.hk

Danmark

Phone +45 45 82 64 00
E-Mail sick@sick.dk

Deutschland

Phone +49 211 5301-301
E-Mail kundenservice@sick.de

España

Phone +34 93 480 31 00
E-Mail info@sick.es

France

Phone +33 1 64 62 35 00
E-Mail info@sick.fr

Great Britain

Phone +44 (0)1727 831121
E-Mail info@sick.co.uk

India

Phone +91-22-4033 8333
E-Mail info@sick-india.com

Israel

Phone +972-4-999-0590
E-Mail info@sick-sensors.com

Italia

Phone +39 02 27 43 41
E-Mail info@sick.it

Japan

Phone +81 (0)3 3358 1341
E-Mail support@sick.jp

Magyarország

Phone +36 1 371 2680
E-Mail office@sick.hu

Nederlands

Phone +31 (0)30 229 25 44
E-Mail info@sick.nl

Norge

Phone +47 67 81 50 00
E-Mail austefjord@sick.no

Österreich

Phone +43 (0)22 36 62 28 8-0
E-Mail office@sick.at

Polska

Phone +48 22 837 40 50
E-Mail info@sick.pl

România

Phone +40 356 171 120
E-Mail office@sick.ro

Russia

Phone +7 495 775 05 30
E-Mail info@sick.ru

Schweiz

Phone +41 41 619 29 39
E-Mail contact@sick.ch

Singapore

Phone +65 6744 3732
E-Mail admin@sicksgp.com.sg

South Africa

Phone +27 11 472 3733
E-Mail info@sickautomation.co.za

South Korea

Phone +82-2 786 6321/4
E-Mail info@sickkorea.net

Slovenija

Phone +386 (0)1-47 69 990
E-Mail office@sick.si

Suomi

Phone +358-9-25 15 800
E-Mail sick@sick.fi

Sverige

Phone +46 10 110 10 00
E-Mail info@sick.se

Taiwan

Phone +886 2 2375-6288
E-Mail sales@sick.com.tw

Türkiye

Phone +90 216 528 50 00
E-Mail info@sick.com.tr

United Arab Emirates

Phone +971 4 8865 878
E-Mail info@sick.ae

USA/México

Phone +1(952) 941-6780
1 800-325-7425 – tollfree
E-Mail info@sickusa.com

More representatives and agencies
at www.sick.com