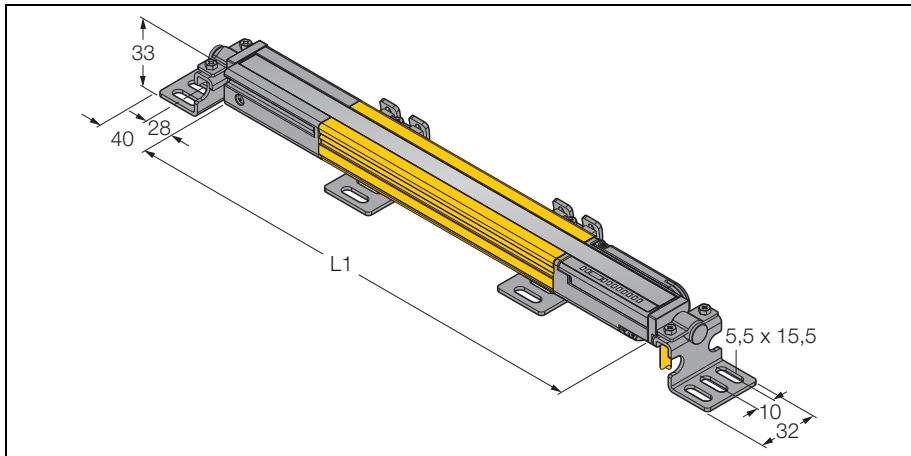


## Personnel safety, light screen

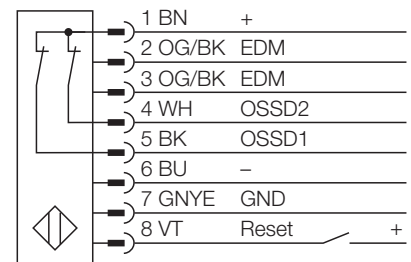
### Receiver

### SLPR14-830P8



- Personnel safety category PLe acc. to ISO 13849-1
- Category 4 according to EN 945-1, or type 4 according to IEC 61496-1, -2
- SIL 3 to IEC 61508
- Flat housing without blind zone
- Adjustment via DIP switch
- Adjustment of reduced resolution
- Blanking function
- Resolution 14 mm
- Sensing height 830 mm
- Operating voltage 24 VDC +-15%
- Electrical connection, M12 x 1 male, 8-pole (QDE-8..D)
- Degree of protection IP65

#### Wiring diagram



#### Functional principle

The high-resolution safety light curtain is emitter and receiver in one without blind zone. As the system is synchronized optically, wiring between emitter and receiver is redundant. The safety switching outputs of the receiver are directly connected to a load relay (e.g. IM-TA9A) and trigger an immediate stop of the dangerous machine cycle. The switching device with 2-channel monitoring, diverse redundant designed and mutual processor control, complies with the personnel safety category PLe acc. to ISO 13849-1.

<b>Type</b>	SLPR14-830P8
Ident-No.	3083556
<b>Operating mode</b>	light screen
Optical resolution	14 mm
Range	0... 7000 mm
Detection zone height	830 mm
Ambient temperature	0...+ 55°C
<b>Operating voltage</b>	20... 28 VDC
No-load current $I_0$	≤ 32 mA
Output function	2x NC, 2 x PNP
Response time	< 22.5ms
<b>Housing</b>	rectangular, EZ-Screen LP
Dimensions	26x 28x 829mm
Housing material	Metal, AL
Lens	plastic, acrylic
Electrical connection	cable with connector, M12 x 1
Protection class	IP65
<b>Operating voltage</b>	LED green
Switching state	2-color LED red