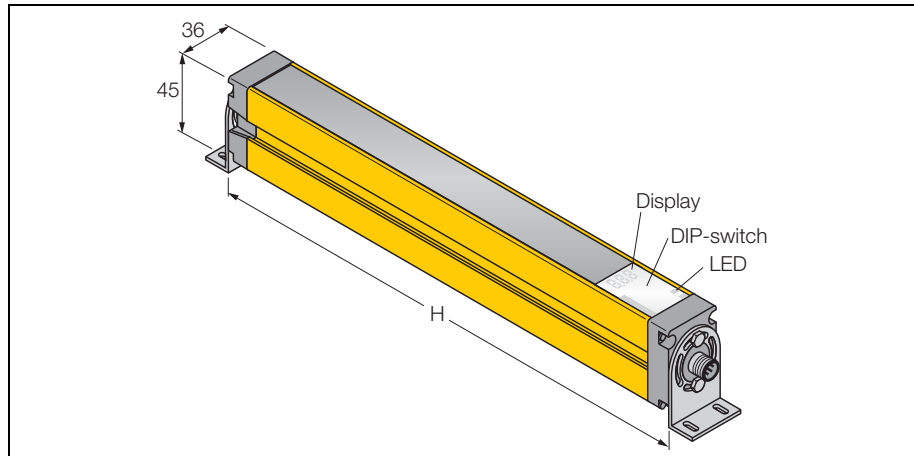
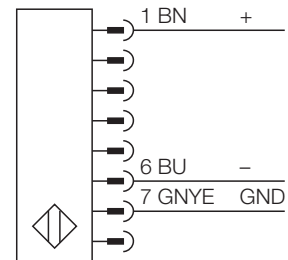


light screen for machine safety applications
emitter
SLSE30-1350Q8



- Personnel safety category PLe acc. to ISO 13849-1
- Category 4 according to EN 945-1, or type 4 according to IEC 61496-1, -2
- SIL 3 to IEC 61508
- adjustment via DIP switch
- male connector, M12 x 1, 8-pole
- resolution 30 mm
- detection zone height 1,350 mm
- operational voltage 24 VDC +15%
- degree of protection IP65

Wiring diagram



Functional principle

The high-resolution personnel safety light screen consists of an emitter and a receiver. As the system is synchronised optically, emitter/receiver wiring is redundant. The safety switching outputs of the receiver are directly connected to a load relay (e.g. IM-TA9A) and trigger an immediate stop of the dangerous machine cycle. Personnel safety degree type 4 according to IEC 61496 is fulfilled due to 2-channel monitoring of the switching device and the diverse redundant construction with mutual processor control.

Type	SLSE30-1350Q8
Ident-No.	3072375
Operating mode	light screen
Light type	IR
Wavelength	950 nm
Optical resolution	30 mm
Range	100... 18000 mm
Detection zone height	1350 mm
Ambient temperature	0...+ 50°C
Operating voltage	20... 28 VDC
Response time	< 25ms
Housing	rectangular, EZ-Screen
Dimensions	45x 36x 1420mm
Housing material	Metal, AL
Lens	plastic, acrylic
Electrical connection	Connectors, M12 x 1
Protection class	IP65
Operating voltage	LED green