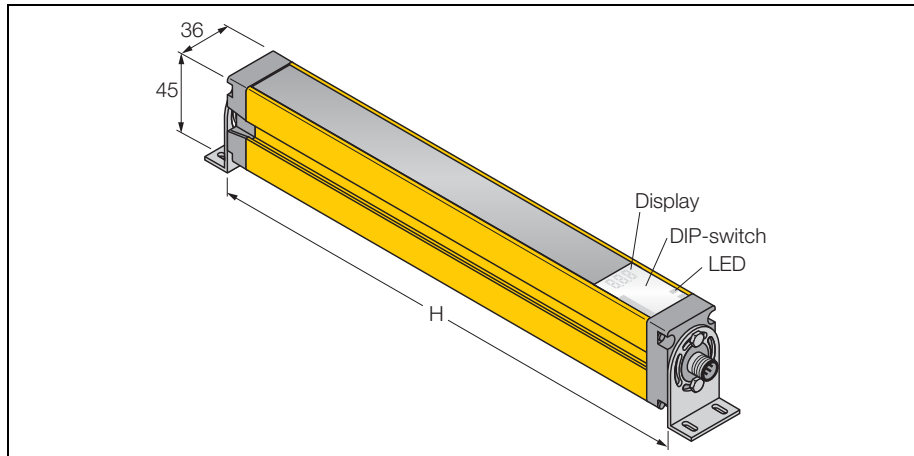


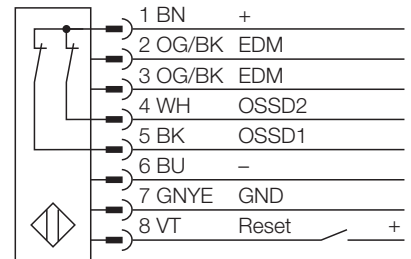
light screen for machine safety applications
receiver
SLSR14-1650Q8



- Personnel safety category PLe acc. to ISO 13849-1
- Category 4 according to EN 945-1, or type 4 according to IEC 61496-1, -2
- SIL 3 to IEC 61508
- adjustment via DIP switch
- male connector, M12 x 1, 8-pole
- blanking function
- resolution 14 mm
- detection zone height 1,650 mm
- operational voltage 24 VDC +15%
- degree of protection IP65

| | |
|--------------------------------|------------------------|
| Type | SLSR14-1650Q8 |
| Ident-No. | 3073365 |
| Operating mode | light screen |
| Optical resolution | 14 mm |
| Range | 100... 6000 mm |
| Detection zone height | 1650 mm |
| Ambient temperature | 0...+ 50°C |
| Operating voltage | 20... 28 VDC |
| No-load current I ₀ | ≤ 275 mA |
| Output function | 2x NC, 2 x PNP |
| Response time | < 52ms |
| Housing | rectangular, EZ-Screen |
| Dimensions | 45x 36x 1719mm |
| Housing material | Metal, AL |
| Lens | plastic, acrylic |
| Electrical connection | Connectors, M12 x 1 |
| Protection class | IP65 |
| Operating voltage | LED green |
| Switching state | 2-color LED red |

Wiring diagram



Functional principle

The high-resolution personnel safety light screen consists of an emitter and a receiver. As the system is synchronised optically, emitter/receiver wiring is redundant. The safety switching outputs of the receiver are directly connected to a load relay (e.g. IM-TA9A) and trigger an immediate stop of the dangerous machine cycle. Personnel safety degree type 4 according to IEC 61496 is fulfilled due to 2-channel monitoring of the switching device and the diverse redundant construction with mutual processor control.