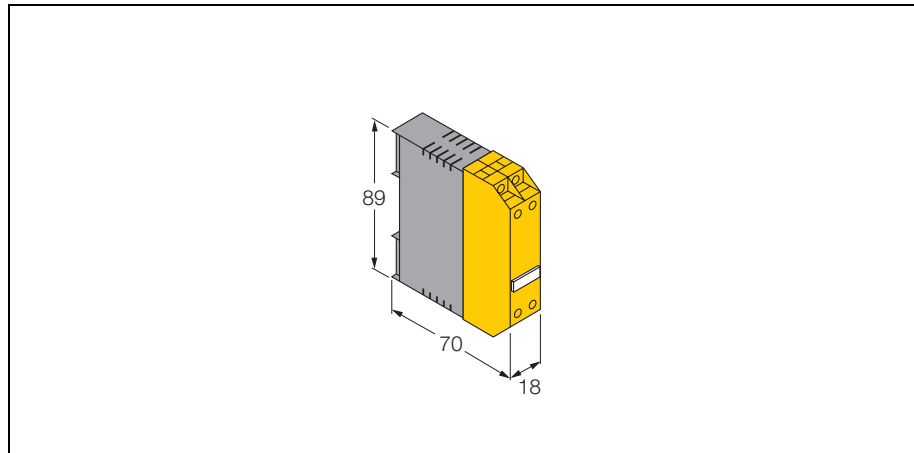
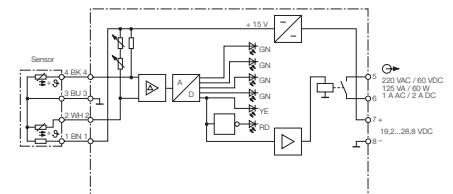


**signal processor**
MK96 for flow sensors
MK96-11-R/24VDC

- for connection of a standard flow sensor
- adjustment via potentiometer
- 6 LEDs for display of the flow state
- 2-wire DC, 19.2...28.8 VDC
- with normally open relay output

Wiring diagram

Insertion and inline sensors are supplied with voltage by the processor devices which also process and display the measured signals. Devices with MK96..., MS96... and MC96... housing styles are available. The individual housing styles are designed for different operating voltages and feature various output and supplementary functions. For intrinsically safe flow sensors it is required to use signal processors with intrinsically safe control circuits, i.e. the series MS96...Ex... and MC96...Ex... .

Type	MK96-11-R/24VDC
Ident-No.	7525000
Output function	normally open, relay output
Switching voltage	≤ 230 VAC / 60 VDC
Switching current	≤ 1 A AC / 2 A DC
Switching capacity	≤ 120 VA / 60 W
Operating voltage	19.2... 28.8VDC
No-load current I_0	≤ 70mA
Operating range	dependent on connected sensor
Housing	terminal chambers, polycarbonate/ABS
Dimensions (w x l x h)	70 x 18 x 89 mm
Attachment	DIN rail (DIN 50022)
Degree of protection (terminals/housing)	IP20 / IP40
Ambient temperature	-20... 60°C
Display switch state	LED chain green / yellow / red
Display 'Setpoint value undershoot '	LED red
Display 'Setpoint value achieved '	LED yellow
Display 'Setpoint value overshoot '	4 x LEDs green