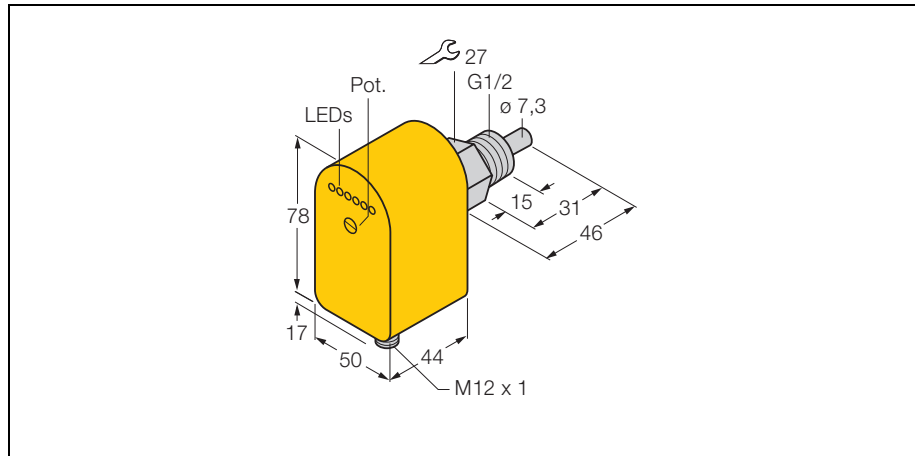
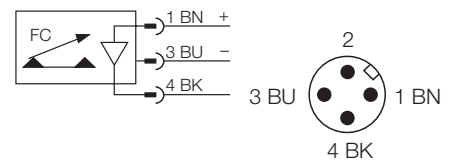


flow sensor
insertion style sensor with integrated processor
FCS-G1/2A4P-LIX-H1141



- sensor for water
- calorimetric function principle
- adjustment via potentiometer
- status display via LED chain
- with linearised analogue output
- 3-wire DC, 21...26 VDC
- 4...20 mA analogue output
- connector, M12 x 1

Wiring diagram



Type	FCS-G1/2A4P-LIX-H1141
Ident-No.	6870056
Water operating range [cm/s]	5... 150 cm/s
Stand-by time	ca. 10 s
Setting time	1...15 s
Medium temperature	-20... 70°C
Operating voltage	21... 26VDC
No-load current I_0	≤ 100mA
Output function	analogue output, 4...20 mA
Short-circuit protection	yes
Reverse polarity protection	yes
current output	4... 20 mA
Linearity deviation	≤ 10% of full scale
Load	≤ 500 Ω
Degree of protection	IP67
Housing material	plastic, PBT
Sensor material	stainless steel, AISI 316Ti
Tightening torque of housing nut	max. 100 Nm
Connection	Connectors, M12 x 1
Pressure resistance	100 bar
Mechanical connection	G 1/2"
Flow state display	LED chain, red (1x), green (5x)
LED display	red = 4 mA 1x green > 4 mA 2x green > 8 mA 3x green > 12 mA 4x green > 16 mA 5x green = 20 mA

Functional principle

The function of our insertion flow sensors is based on the thermo-dynamic principle. The measuring probe is heated by several °C compared to the flow medium. When fluid moves along the probe, the heat generated in the probe is conducted away from the sensor. The resulting temperature is measured and compared to the medium temperature. The flow status of every medium can be derived from the evaluated temperature difference. Thus TURCK's wear-free flow sensors reliably monitor the flow of gaseous and liquid media.

