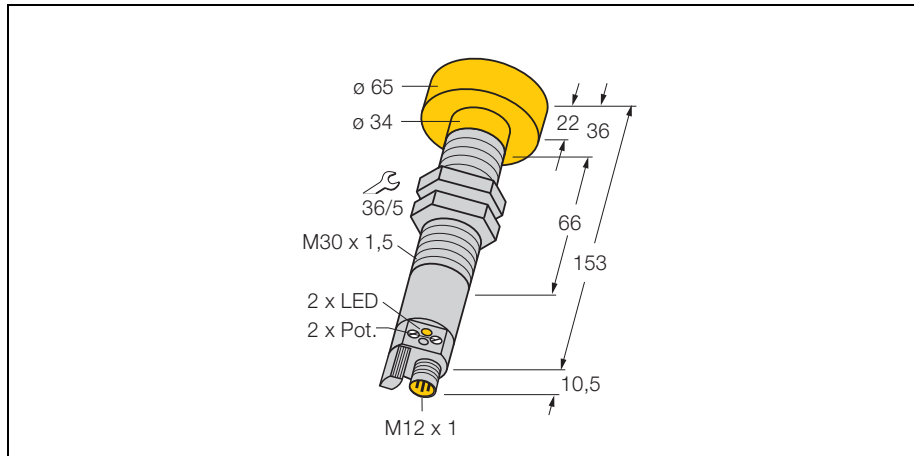
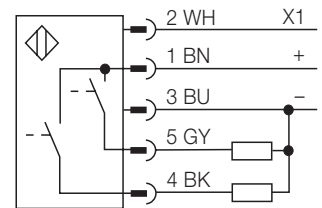


**ultrasonic sensor
diffuse mode sensor
RUC600-M3065-2AP8X-H1151**



- upper range limit of first and second switching range adjustable via potentiometer
- further parameters adjustable via programming device RU-PDI (accessories)
- two pnp transistor outputs (normally open)
- synchronizable
- opening angle of sonic cone 6°

Wiring diagram



Functional principle

Ultrasonic sensors use ultrasonic waves for non-contact and wear-free detection of a large variety of objects. It does not matter whether the object is transparent or opaque, metallic or non-metallic, or of liquid, solid or powdery consistence. Environmental conditions such as spray, dust or rain hardly affect their function.

Type	RUC600-M3065-2AP8X-H1151
Ident-No.	1840620
Range	60... 600 cm
Ultrasound frequency	80 kHz
Temperature drift	± 1.5 % of full scale
Repeatability	≥ ± 9 mm
Edge lengths of the nominal actuator	100 mm
Pass speed	≤ 3.7 m/s
Approach speed	≤ 18 m/s
Ambient temperature	-25...+ 70 °C
Operating voltage	20... 30 VDC
DC rated operational current	≤ 300 mA
No-load current I ₀	≤ 50 mA
Output function	2x normally open, pnp
Short-circuit protection	yes / cyclic
Reverse polarity protection	complete
Switching frequency	≤ 1 Hz
Voltage dip at I _e	≤ 3 V
Wire breakage protection	yes
Housing	cylindrical/threaded, M30
Dimensions	163.5 mm
Housing diameter	65 mm
Thread length	66 mm
Housing material	metal, CuZn, nickel-plated
Connection	Connector, M12 x 1
Degree of protection	IP65
Display switch state	LED yellow

**ultrasonic sensor
diffuse mode sensor
RUC600-M3065-2AP8X-H1151**

TURCK

Industrial
Automation

Accessories

Type code	Ident-No.	Short text	Dimension drawing
RU-PDI	1890000	programming device for configuration of ultrasonic sensor types RU...-M18 and RUC...-M30	