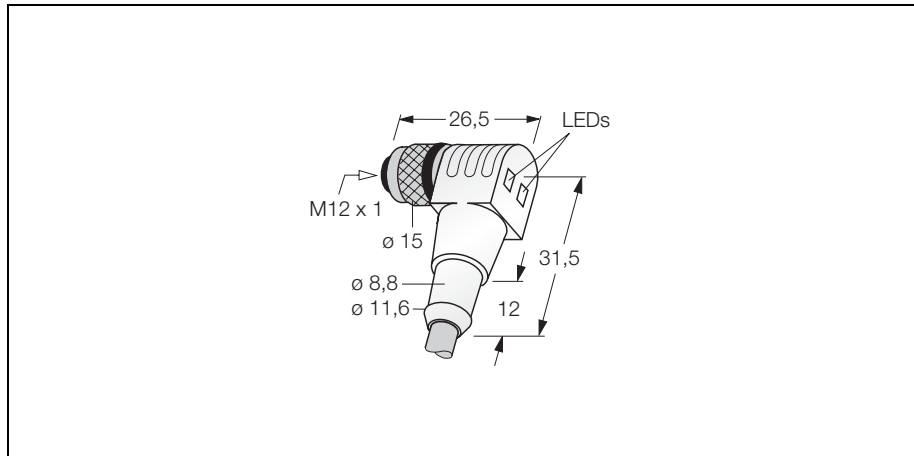
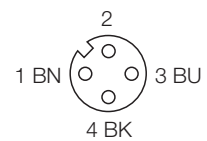


# M12 x 1 round connector female M12 x 1 connector with LED WWAK3P2-2/P00



- robust and pre-assembled round connector
- plastic moulding
- Degree of protection IP67
- also available with different cable lengths and of different materials
- PVC cable
- suited to average mechanical stress

### Wiring diagram



### cable quality P00

Pure PVC cable, resistant to average mechanical strain, for use in packaging machinery as well as assembly and production lines. Good resistance against acids and alkalis and thus suited for use in the food and beverage industry. Limited resistance to abrasion, conditional resistance to oils and chemicals.

<b>Type</b>	WWAK3P2-2/P00
Ident-No.	8010213
<b>Connector</b>	female connector, M12 x 1, angled
Polarity	3-pole
Contacts	metal, CuZn, gold-plated
Contact carriers	plastic, TPU, black also with B type coding on request
Grip	plastic, TPU, transparent
Switching function	pnp stainless steel coupling nut/screw available on request
Seal	plastic, FPM/FKM
Degree of protection	IP67, only with screws tightened
Operating voltage display	LED
Display switch state	LED yellow
Mechanical lifespan	min. 100 Contact durability
Pollution degree	3/2
	also with B type coding on request stainless steel coupling nut/screw available on request
<b>Cable</b>	P00, LifYY
Cable diameter	Ø 5.2 mm
Cable length	2 m
Cable jacket	PVC, grey
Core insulation material	PVC
Core insulation colours	BN, BU, BK
Core cross-section	3 x 0.34 mm <sup>2</sup>
Litz wire arrangement	43 x 0.1 mm
Bending radius (moving state)	minimum 10 x Cable diameter
<b>Rated voltage</b>	10 ... 30 V
Insulation resistance	≥ 10 <sup>9</sup> Ω
Ampacity	4 A
Forward resistance	≤ 5 mΩ
Ambient temperature Connector	-30 ... + 90 °C
Cable ambient temperature	-40 ... + 80 °C

