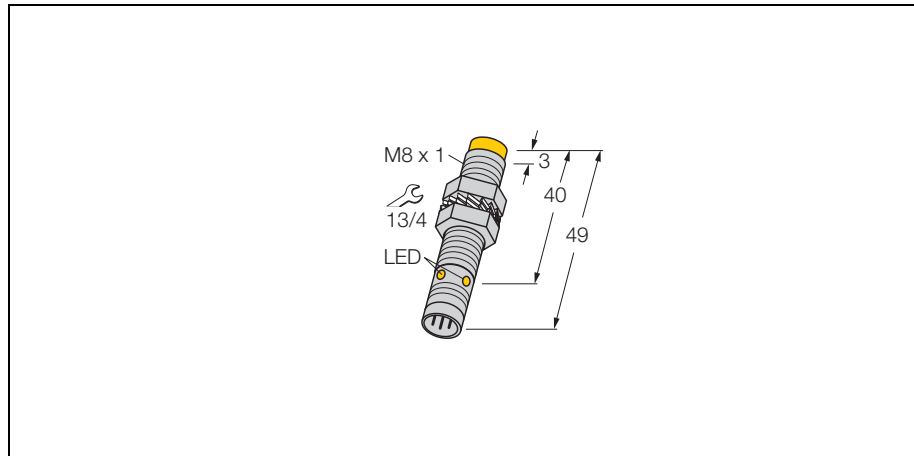


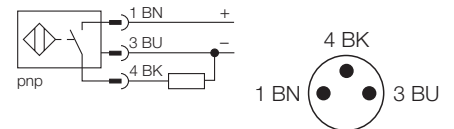
**inductive sensor**

**Ni3-EG08-AP6X-V1131**



- threaded barrel, M8 x 1
- stainless steel, 1.4404
- 3-wire DC, 10...30 VDC
- normally open, pnp output
- connector, M8 x 1

**Wiring diagram**



<b>Type</b>	Ni3-EG08-AP6X-V1131
Ident-No.	4602750
<b>Rated operating distance Sn</b>	3 mm
Mounting condition	non-flush
Assured switching distance	≤ (0,81 x Sn) mm
Correction factors	St37 = 1, V2A ~ 0.7, Ms ~ 0.4, Al ~ 0.3
Repeatability	≤ 2 %
Temperature drift	≤ ± 10 %
Hysteresis	3... 15 %
Ambient temperature	-25...+ 70 °C
<b>Operating voltage</b>	10... 30 VDC
Residual ripple	≤ 10 % U <sub>SS</sub>
DC rated operational current	≤ 150 mA
No-load current I <sub>0</sub>	≤ 15 mA
Residual current	≤ 0.1 mA
Rated insulation voltage	≤ 0.5 kV
Short-circuit protection	yes / cyclic
Voltage dip at I <sub>e</sub>	≤ 1.8 V
Wire breakage / Reverse polarity protection	yes / complete
Output function	3-wire, normally open, pnp
Switching frequency	≤ 3 kHz
<b>Housing</b>	threaded barrel, M8 x 1
Dimensions	49 mm
Housing material	metal, A4 1.4404 (AISI 316L)
Material active area	plastic, PA12-GF20
Tightening torque of housing nut	10 Nm
Connection	Connector, M8 x 1
Vibration resistance	55 Hz (1 mm)
Shock resistance	30g (11 ms)
Degree of protection	IP67
<b>Display switch state</b>	LED yellow

**Functional principle**

Inductive sensors are designed for wear-free and non-contact detection of metal objects. For this purpose they use a high-frequency electro-magnetic AC field that interacts with the target. With inductive sensors, this field is generated by an LC resonant circuit with a ferrite core coil.

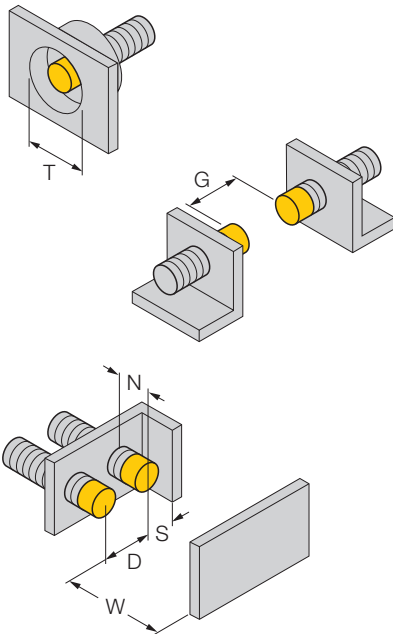
**inductive sensor**

**Ni3-EG08-AP6X-V1131**

Mounting instructions	minimum distances
Distance D	3 x B
Distance W	3 x Sn
Distance T	3 x B
Distance S	1,5 x B
Distance G	6 x Sn
Distance N	2 x Sn

---

<b>Diameter of the active area B</b>	Ø 8 mm
--------------------------------------	--------



# inductive sensor

## Ni3-EG08-AP6X-V1131

**TURCK**

Industrial  
Automation

### Accessories

Type code	Ident-No.	Short text	Dimension drawing
BST-08B	6947210	fixing clamp with dead-stop; material: PA6	
MW-08	6945008	mounting bracket; material: stainless steel A2 1.4301 (AISI 304)	
BSS-08	6901322	fixing clamp; material: polypropylene	